

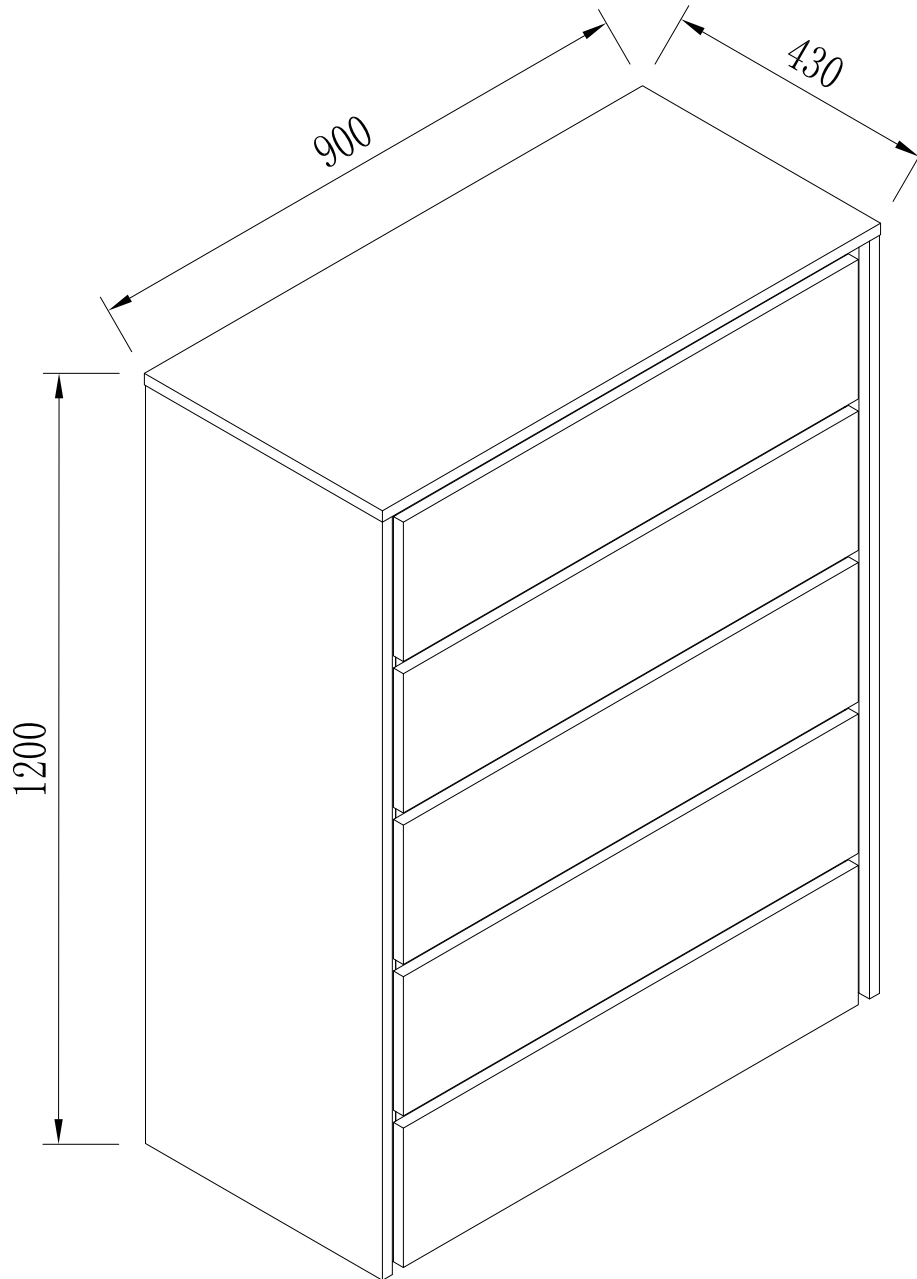


ASSEMBLY INSTRUCTION
CALISTO 5 DRAWER TALL CHEST
ITEM CODE 79663

Imported by Amart Furniture Pty Ltd. Qld. Brisbane Australia.

For any assistance with assembly or for missing parts please phone

Amart Furniture, Customer Service Free call 1800 351 084



Imported by Amart Furniture Pty Ltd. Qld. Brisbane Australia.

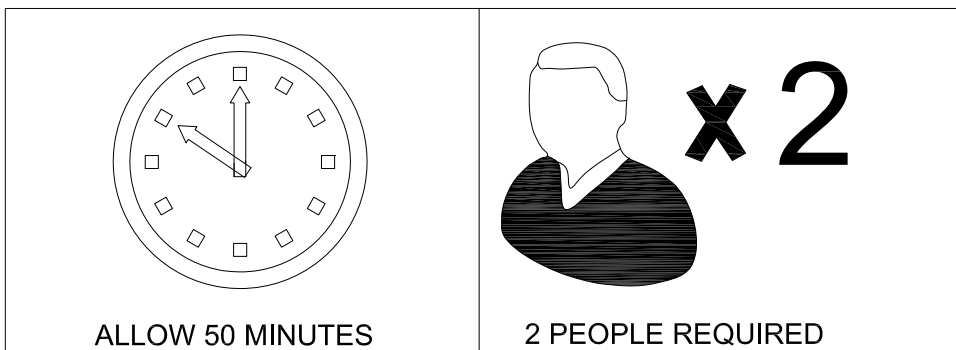
For any assistance with assembly or for missing parts please phone Amart Furniture
Customer Service Free call 1800 351 084

79663

PRE-ASSEMBLY PREPARATION

Before you start:

1. Choose a clean, level, spacious assembly area. Avoid hard surfaces that may damage the product
2. Take care when lifting. Product should be assembled as near as possible to the point of use
3. Ensure that you have all required contents for complete assembly.
4. Always read the assembly instructions carefully before beginning assembly.
5. Keep all hardware parts and packaging out of reach of small children.
6. Do not over tighten the screws and bolts as this may damage the threads



! TIPPING WARNING !	
	<p>Serious or fatal injuries may occur from furniture toppling over. To help avoid this please follow the below recommendations:</p> <ul style="list-style-type: none">• Install the provided "Tipping Kit" as per the instructions• Never allow children to climb on or hang off of any part of this product• Unless specifically designed to accommodate, do not set TVs or other heavy objects on top of this product <p>If this product has drawers:</p> <ul style="list-style-type: none">• Place the heaviest items in lowest drawers• Do not open more than 1 drawer at a time as this may cause the product to become unbalanced• Do not tamper with or remove any drawer interlocking/running system <p>Note: The use of the provided "Tipping Kit" may reduce but not necessarily eliminate the risk of furniture toppling over. Please use this product with caution.</p> <p><i>This is a permanent label. Do not attempt to remove!</i></p>

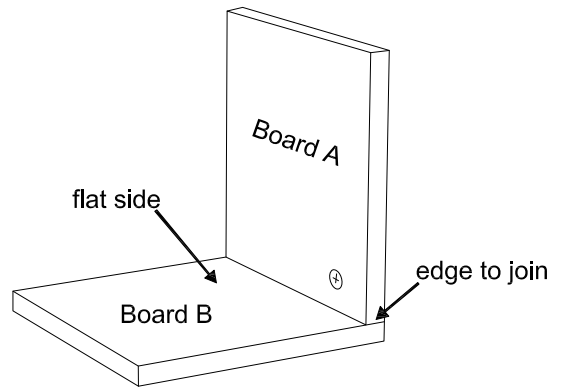
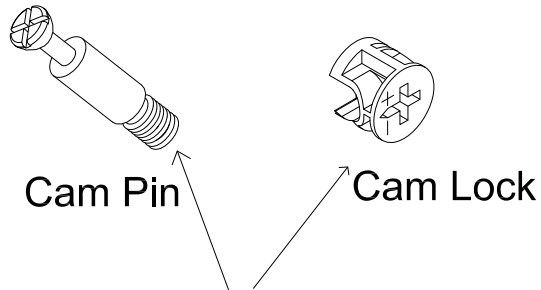
CAM Lock and Pins

step 1

HOW TO USE CAM LOCK FASTENERS

To assemble this product hardware called Cam Lock Fasteners are used. The below is information on how these work.

Cam Locks are fasteners used to join two boards together, usually the edge of one board(A) to the flat side of another board(B)



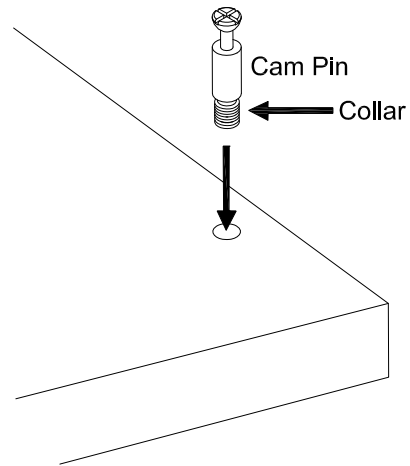
Ensure that you use the correct images that are representative of the hardware used in the product

step 2

To use Cam Lock Fasteners

The Cam Pin is inserted into the flat side of a board, it is important that:

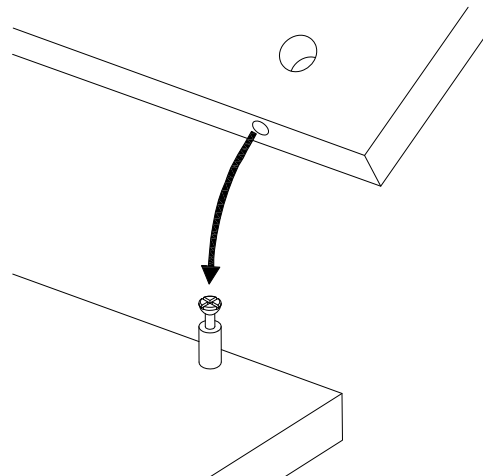
- * The cam pin is kept vertical and is not put in on an angle
- * Cam Pin is inserted up to the collar
 - * Too far and it wont catch the Cam Lock (Do not Over Tighten)
 - * Not enough and the resulting product wont be stable



step 3

To use Cam Lock Fasteners

Now fit the hole in the edge of the joining board over the Cam Pin

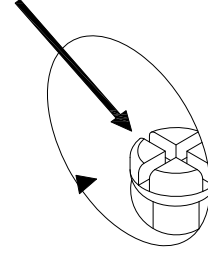


step 4

To use Cam Lock Fasteners

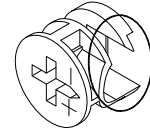
The Head of the Cam Pin will be visible in the large hole on the side of the joining board

head of the Cam Pin



To use Cam Lock Fasteners

Notice the Cam Lock has a "C" Shaped back An Arrow or +/- signs on the front, indicated the open section on the back of the Cam Pin



Cam Lock

step 5

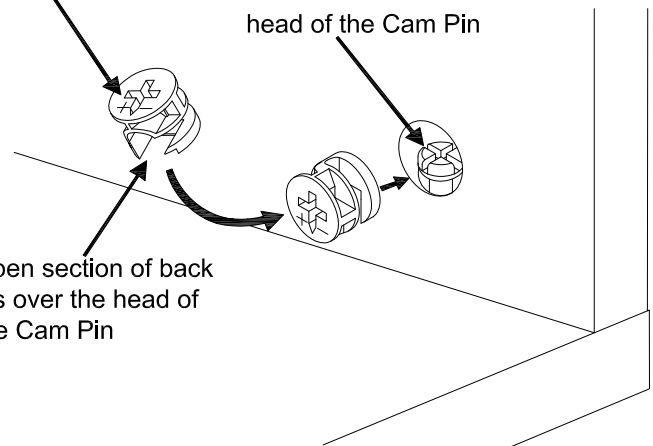
To use Cam Lock Fasteners

In sert the Cam Lock into the large hole so the opening of the "C" fits over the head of the Cam Pin. You must ensure that the Cam Lock is pushed to the bottom of the hole to catch the top of the Cam Pin

Arrow or +/- signs

head of the Cam Pin

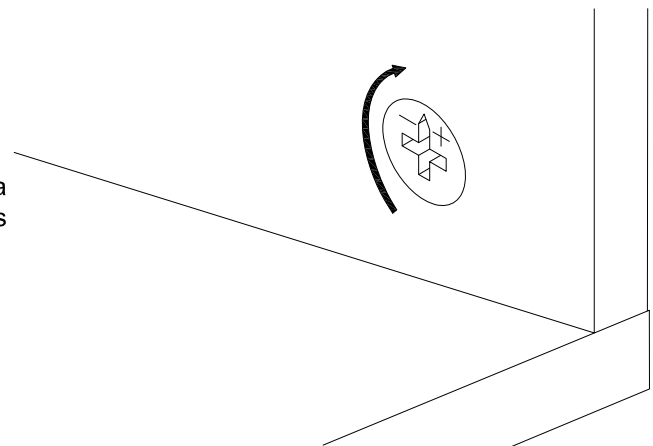
Open section of back fits over the head of the Cam Pin



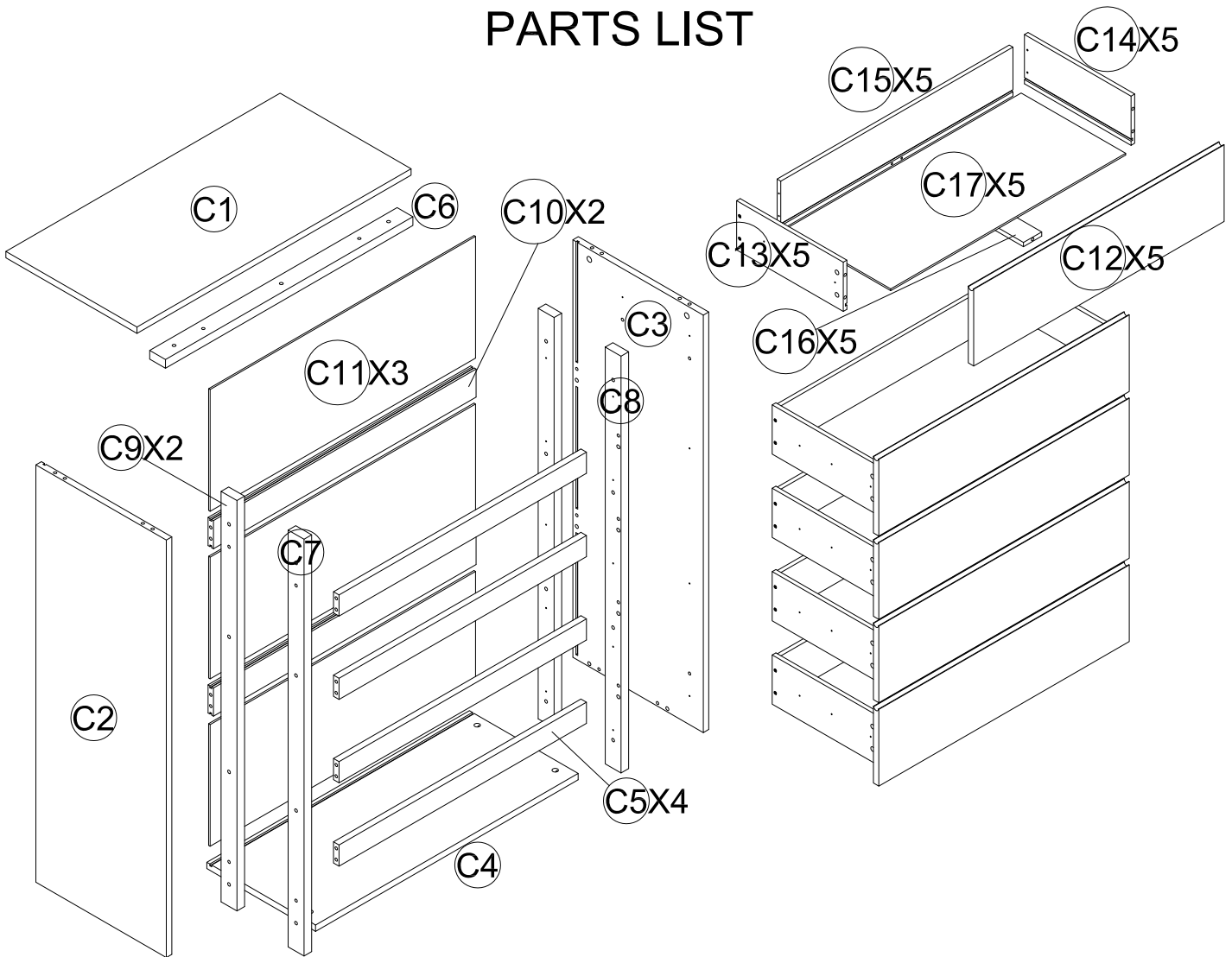
step 6

To use Cam Lock Fasteners


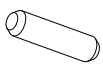
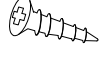

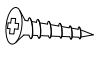



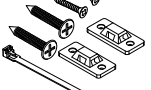


Use a flat screwdriver to turn the Cam Lock clockwise one half a turn so it Locks onto the head of the Cam Pin. Turn only until it is snug-over-tightening could cause the Cam to bend or break. If it will not turn the full amount, turn the Cam Pin out (counter-clockwise) one full turn, and try the Cam Lock again.



PARTS LIST



C1	Top Panel	C10	Back Rail
C2	Left Side Panel	C11	Back Panel
C3	Right Side Panel	C12	Drawer Front Panel
C4	Bottom Support Panel	C13	Drawer Left Side Panel
C5	Front Connect Panel	C14	Drawer Right Side Panel
C6	Bottom Connect Panel	C15	Drawer Back Panel
C7	Left Connect Panel	C16	Drawer Bottom Support Panel
C8	Right Connect Panel	C17	Drawer Bottom Panel
C9	Runner Connect Panel		

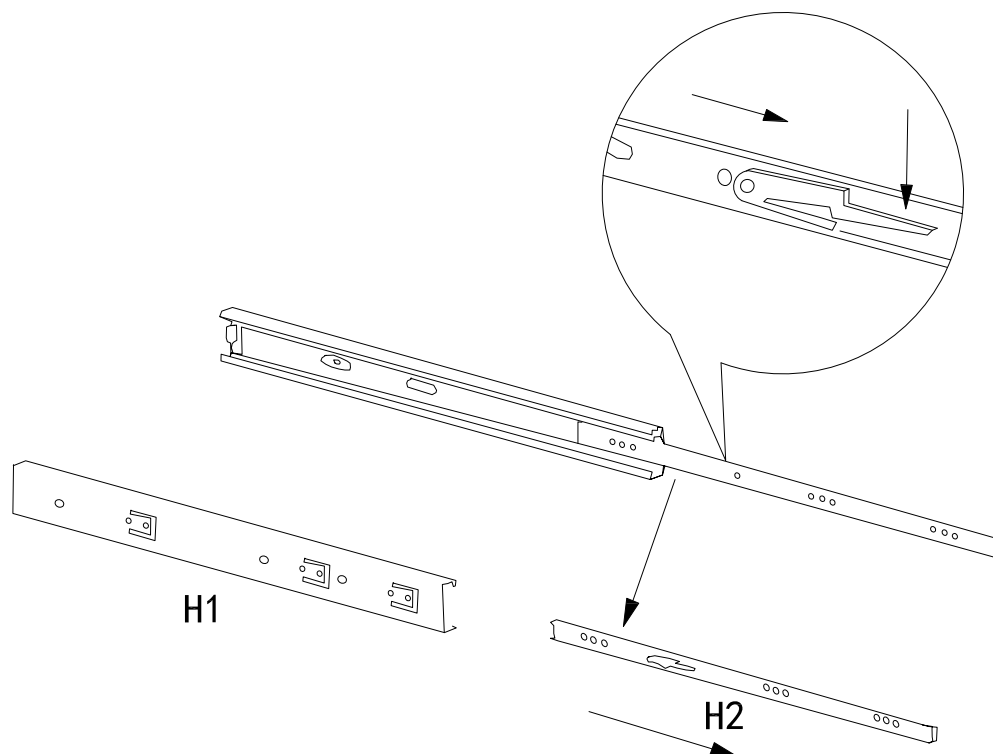
<input type="checkbox"/> A.Cam lock and Cam pin Ø15X35  20PCS	<input type="checkbox"/> B.Dowel Ø8X30  30PCS	<input type="checkbox"/> C.Screw Ø3.5X12  60PCS	<input type="checkbox"/> D.Screw Ø3.5X30  49PCS	<input type="checkbox"/> E.Screw Ø3X18  8PCS	<input type="checkbox"/> F.Connector  8PCS	<input type="checkbox"/> G.Cam lock and Cam pin Ø12X27  25PCS	
<input type="checkbox"/> H.Runner 300mm  10PCS	<input type="checkbox"/> I.Belt  1PC	<input type="checkbox"/> J.Glue  1PC	<input type="checkbox"/> K.Protect foam 20x14x5mm  4PCS				

79663

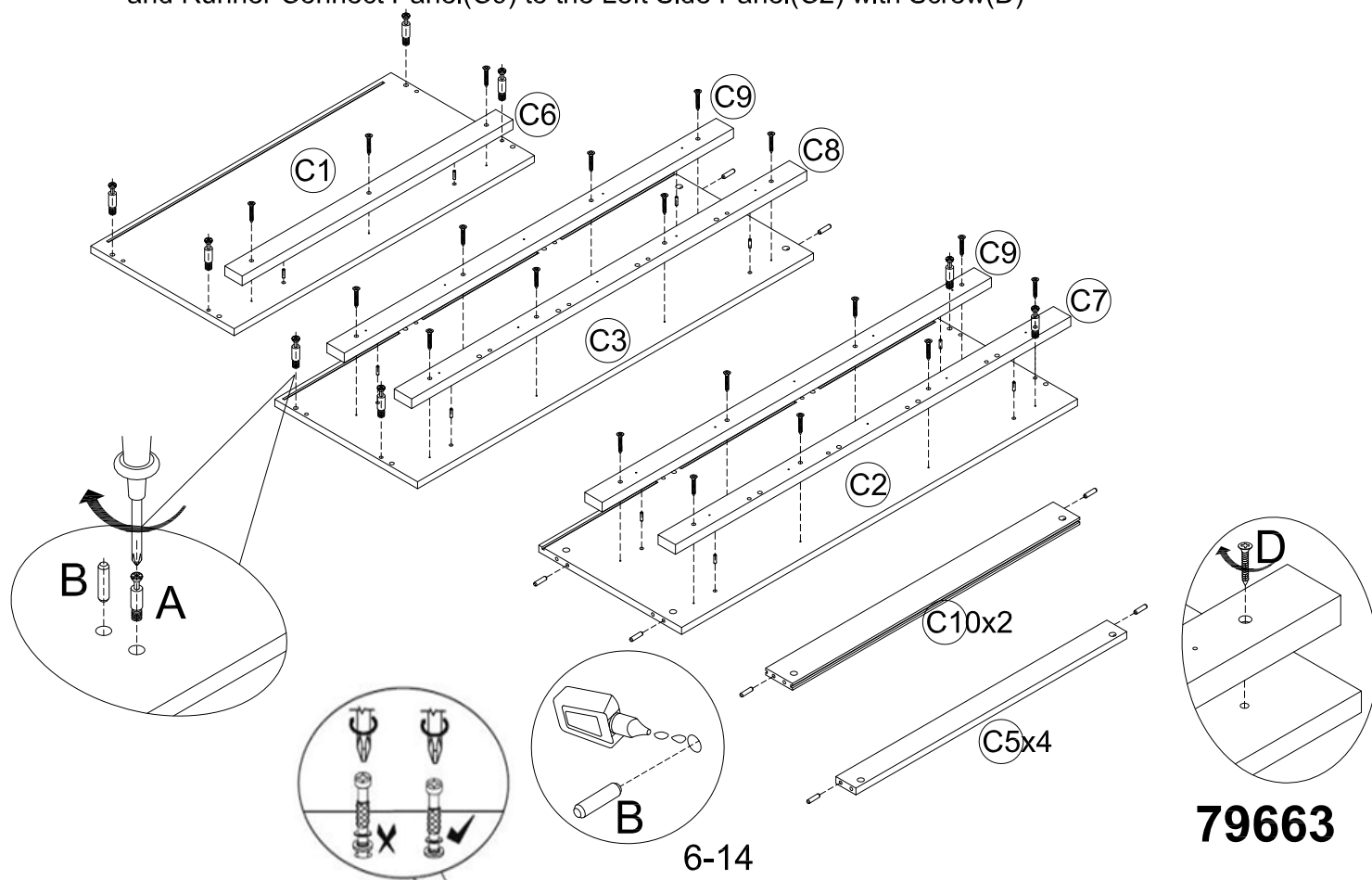
STEP 1:

Runner slide separately ($H=H1+H2$)

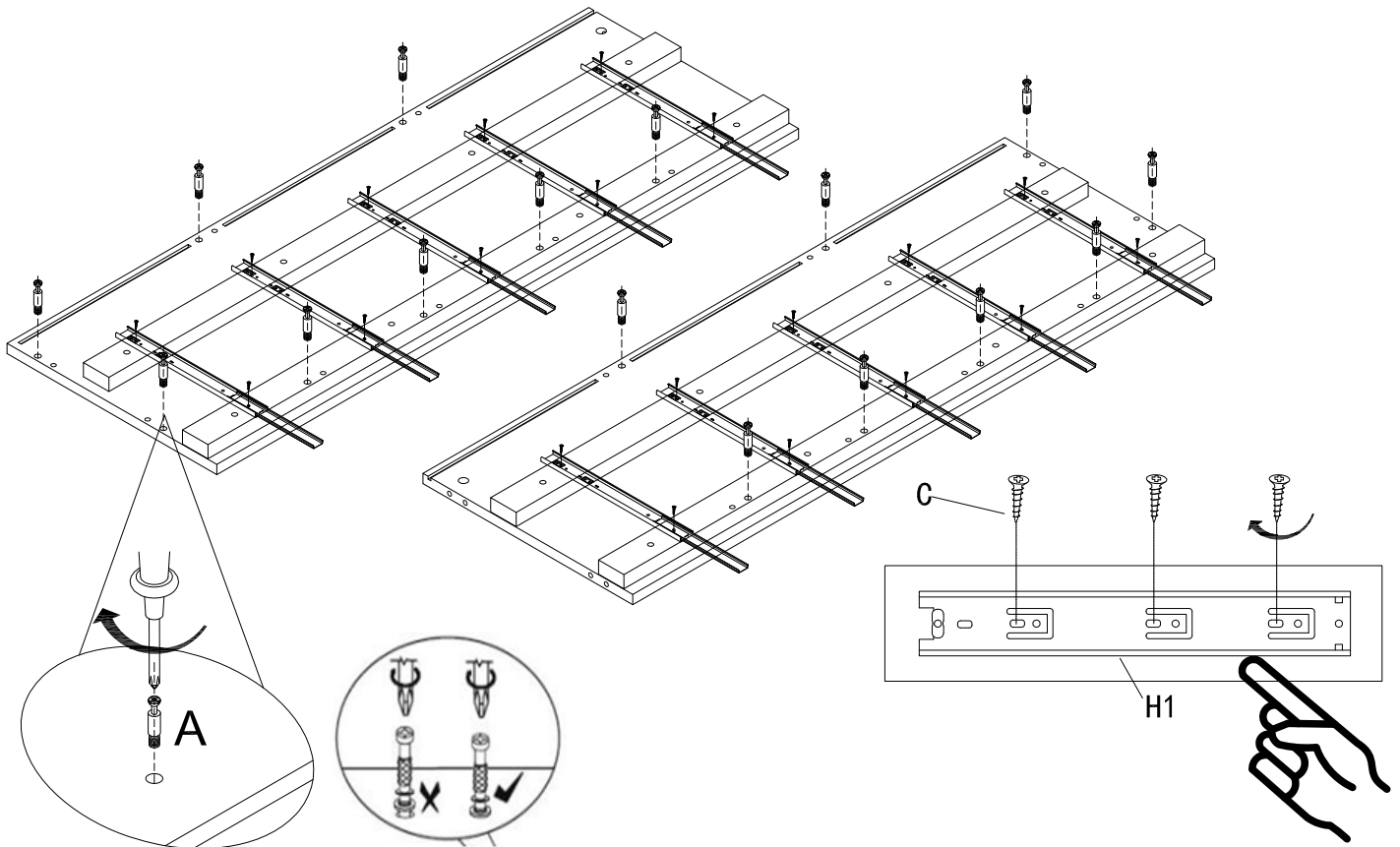
Carefully pull out the runner slide ($H2$) and press plastic clip to fully separate runner slide as diagram shown



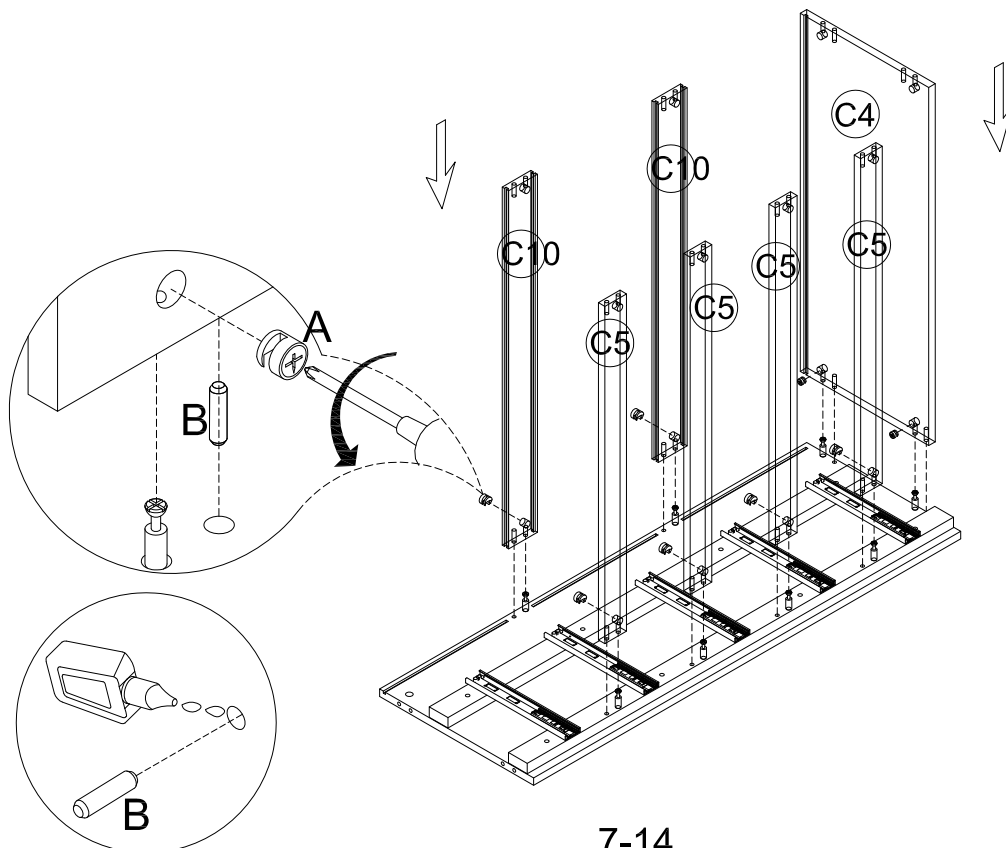
Step 2: Insert the Dowel(B) into the Left side Panel(C2), Right Side Panel(C3), Front Connect Panel(C5) and Runner Connect Panel(C9). Use a Phillips Head Screw to insert the Cam Pin(A) to the Top Panel(C1), Right Side Panel(C3) and Left side Panel(C2). Attach the Right Connect Panel(C8) and Runner Connect Panel(C10) to the Right Side Panel(C3) and attach the Left Connect Panel(C7) and Runner Connect Panel(C9) to the Left Side Panel(C2) with Screw(D)



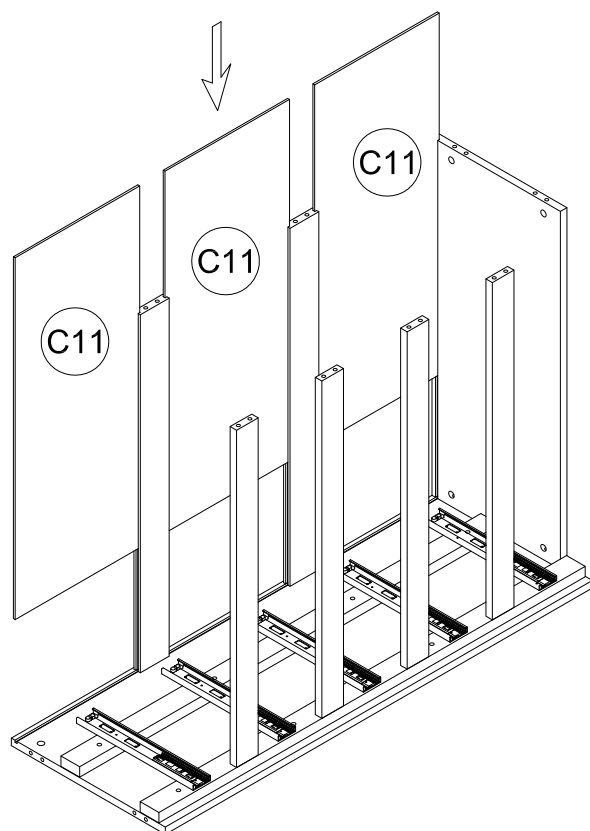
Step 3: Use a Phillips Head Screw to attach Runner(H1) to the Left Connect Panel (C7), Right Connect Panel(C8) and Runner Connect Panel(C9) with Screw(C). Use a Phillips Head Screw to insert the Cam Pin(A) to the Left side Panel(C2), Right Side Panel(C3),Right Connect Panel(C7) and Right Connect Panel(C8).



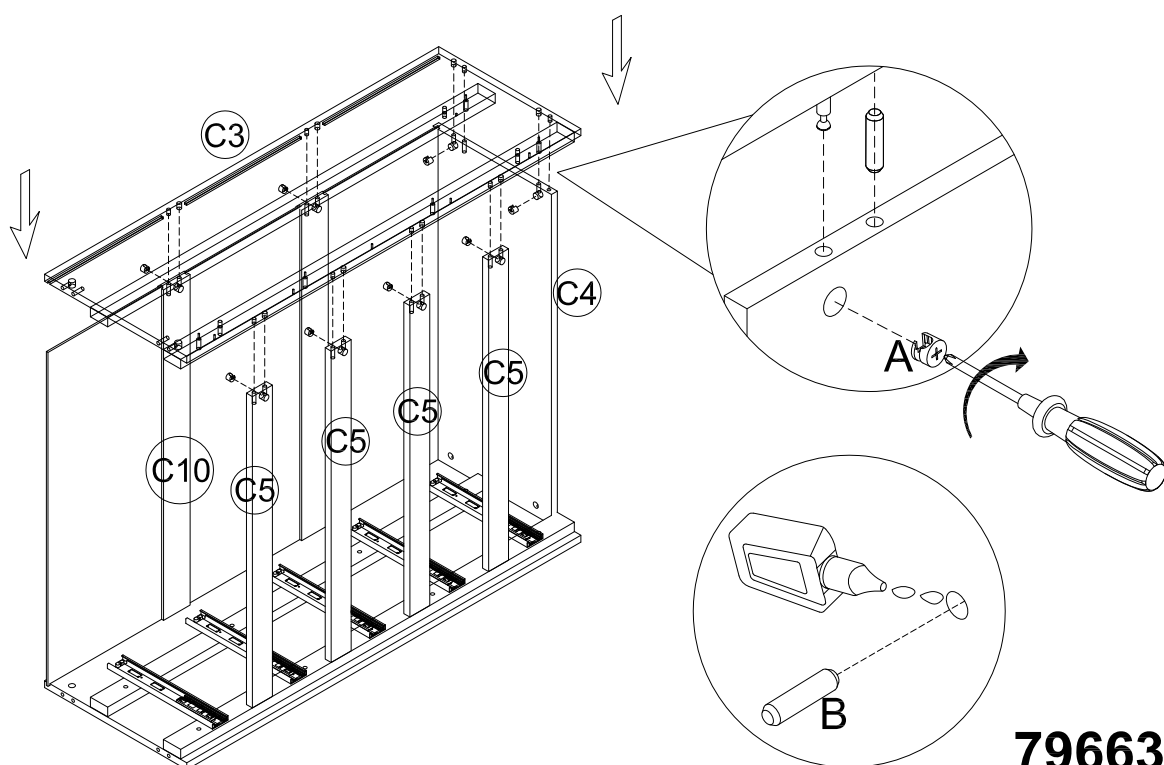
Step 4: Attach the Bottom Support Panel(C4),Front Connect Panel(C5) and Back Rail(C10) to the Left Side Panel(C2). And use a Phillips Head Screw to turn the Cam Lock(A) to lock into the head of the Cam Pin(A).



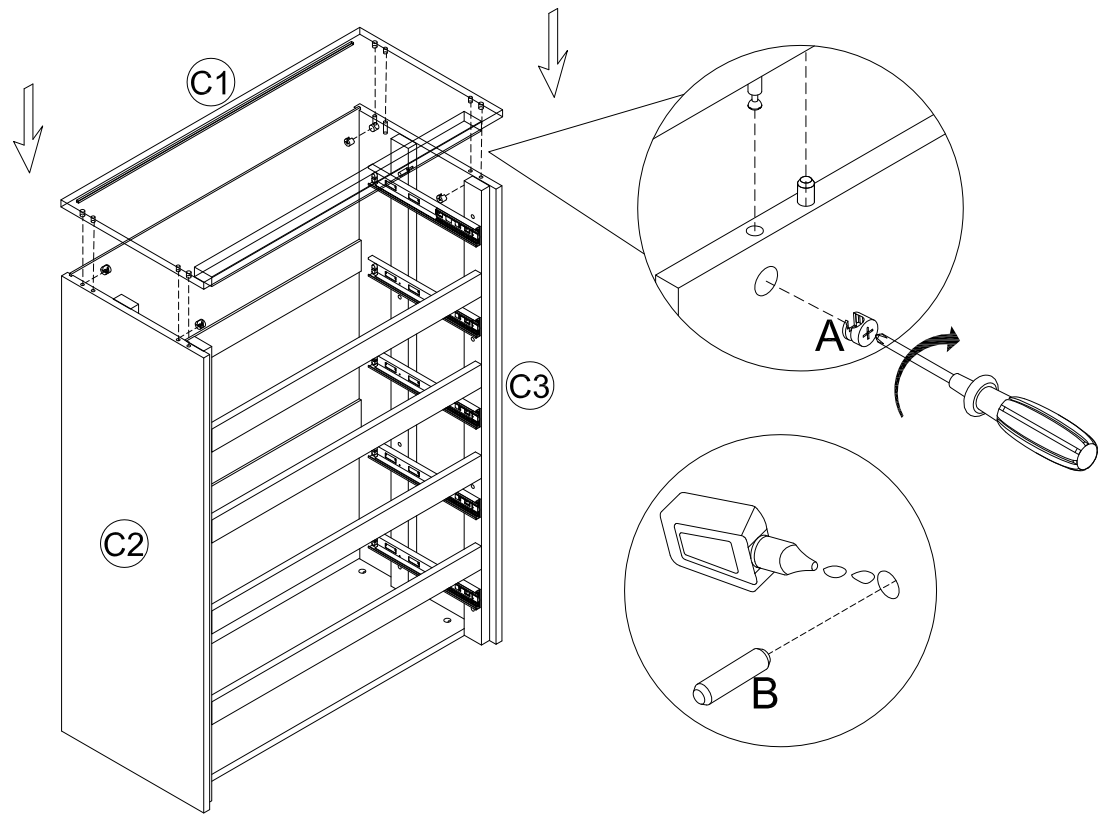
Step 5: Insert the Back Panel(C11) to the groove.



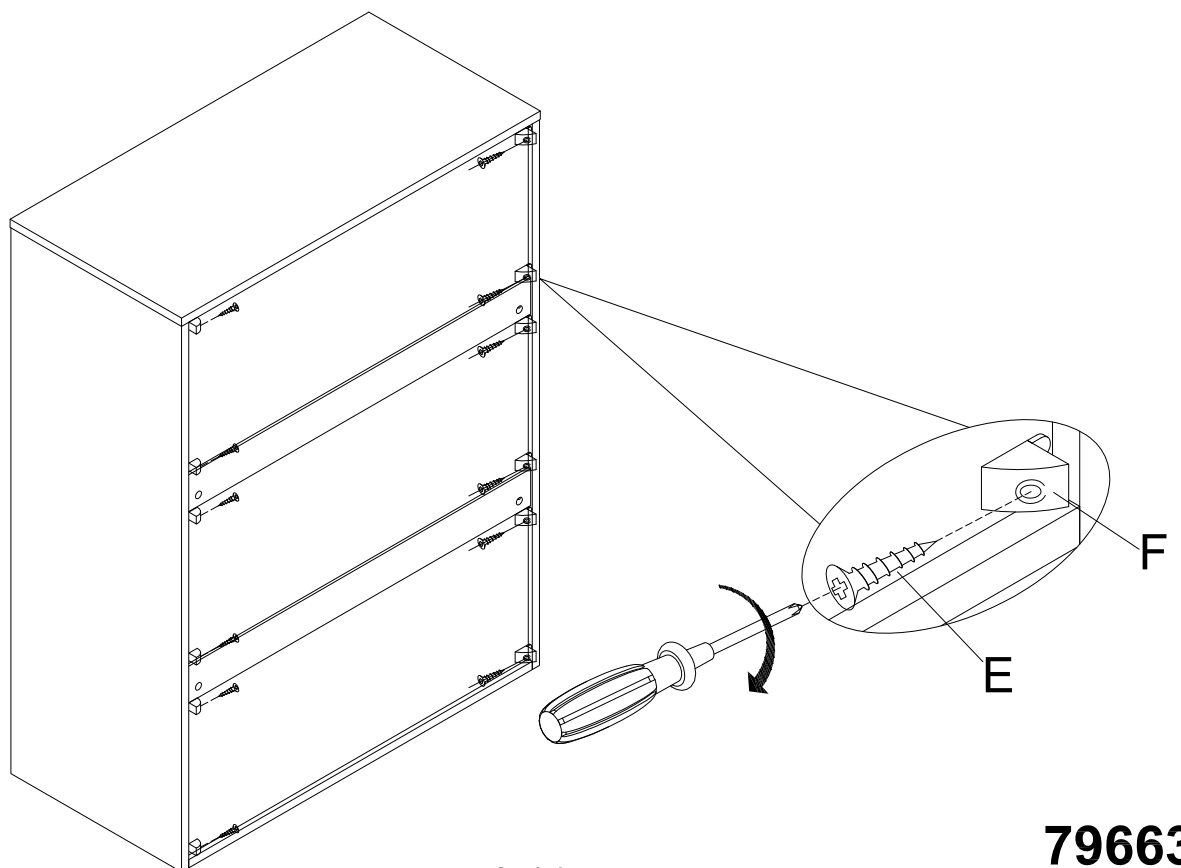
Step 6: Attach Right Side Panel(C3) to the Bottom Support Panel(C4) and the Back Rail(C10).
And use a Phillips Head Screw to turn the Cam Lock(A) to lock into the head of the Cam Pin(A).



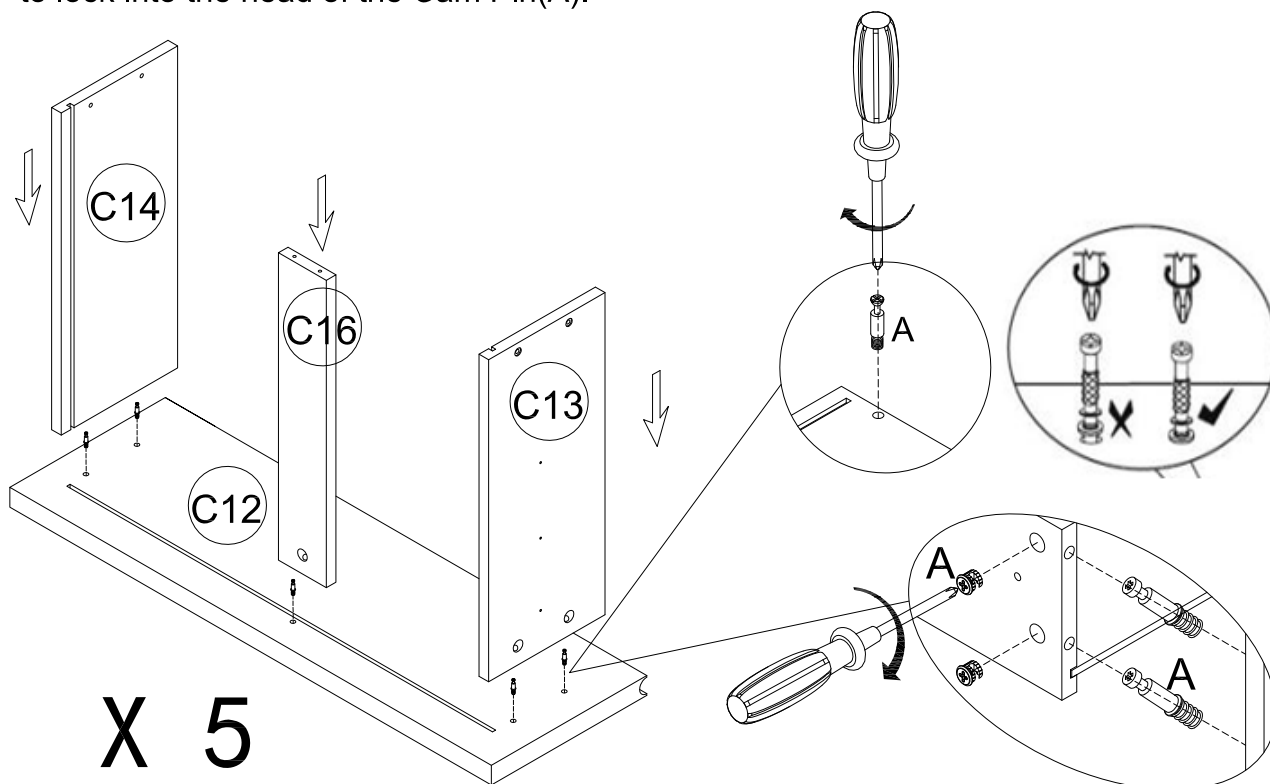
Step 7: Attach the Top Panel(C1) to the Back Panel(C10),the Left Side Panel(C2) and the Right Side Panel(C3). And use a Phillips Head Screw to turn the Cam Lock(A) to lock into the head of the Cam Pin(A).



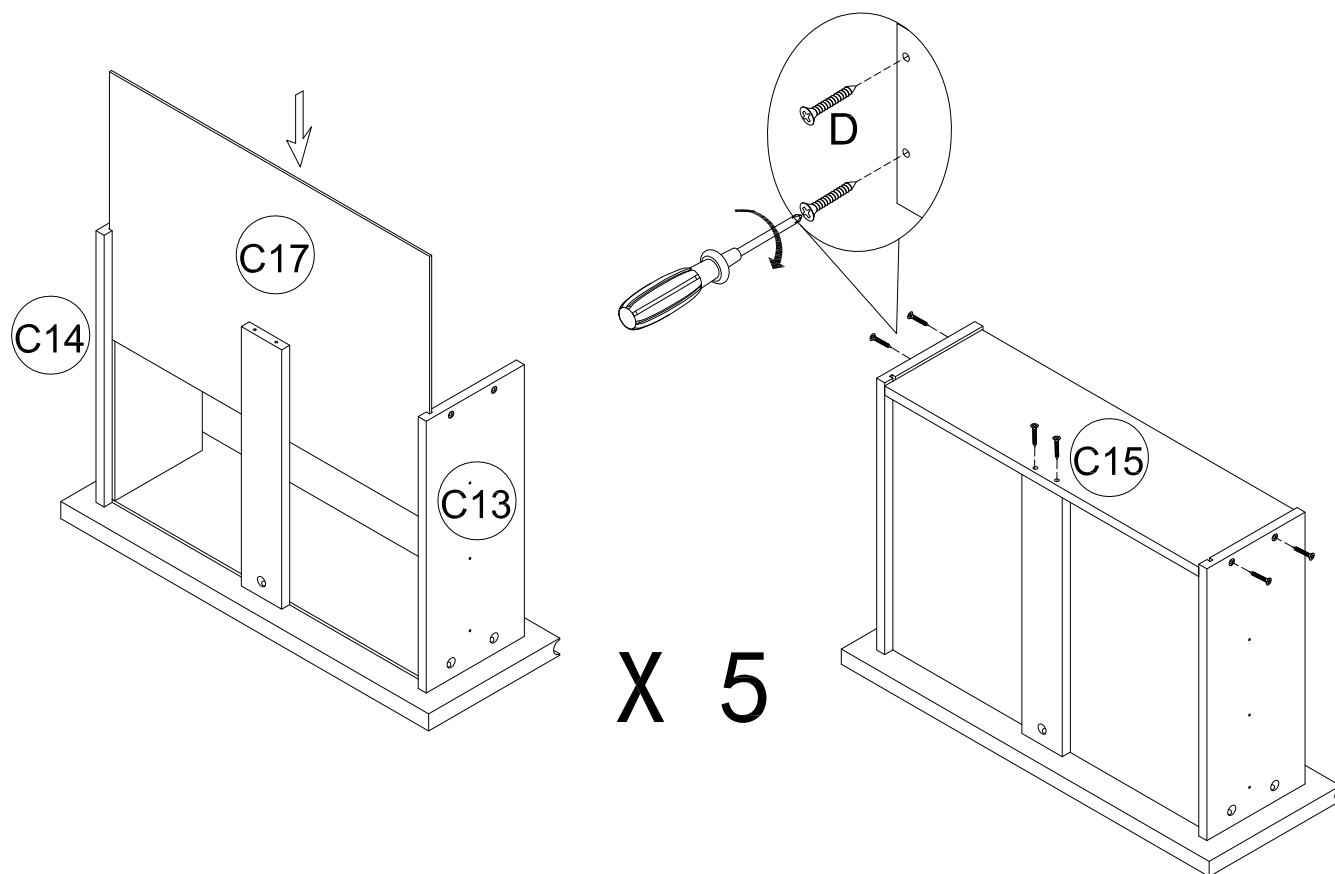
Step 8: Use a Phillips Head Screw to attach the Connector(F) to the back corner with Screw(E).



Step 9: Use a Phillips Head Screw to insert Cam Pin(A) to the Drawer Front Panel(C12). Attach the Drawer Left Side Panel(C13) and Drawer Right Side Panel(C14) and Drawer Bottom Panel(C16). And use a Phillips Head Screw to turn the Cam Lock(A) to lock into the head of the Cam Pin(A).

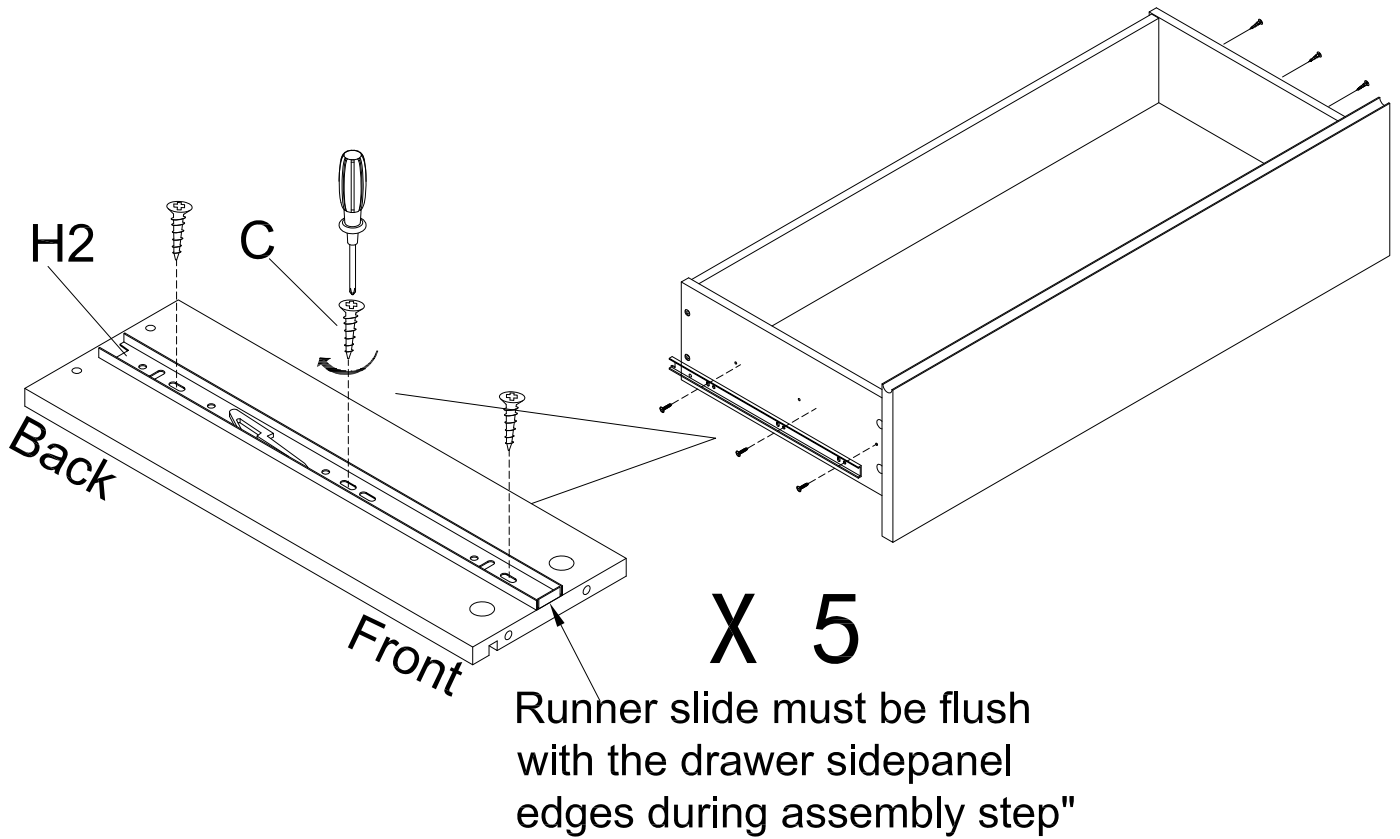


Step 10: Insert the Drawer Bottom Panel(C17) into the groove. And use a Phillips Head Screw to attach the Drawer Back Panel(C15) to the Drawer Left Side Panel(C13), Drawer Right Side Panel(C14) and the Drawer Bottom Panel(C17) with Screw(D).

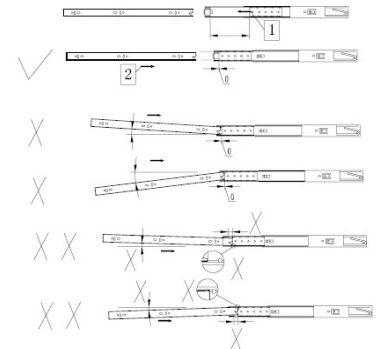
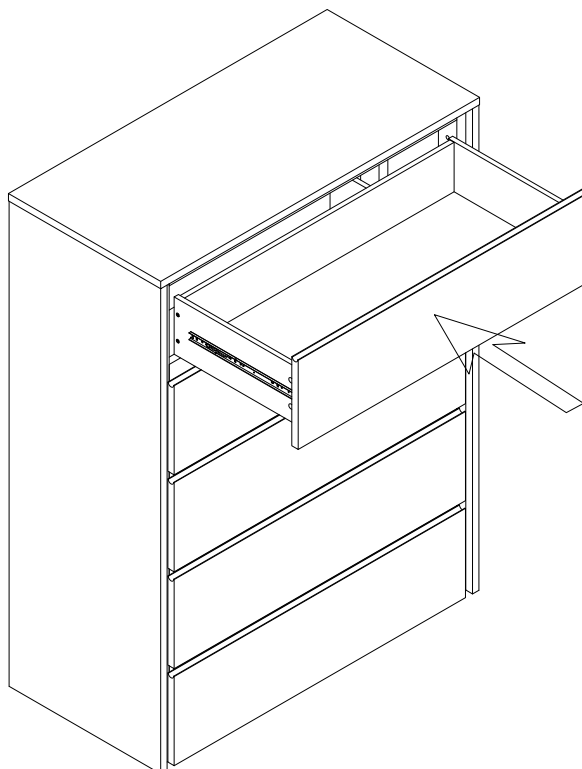


79663

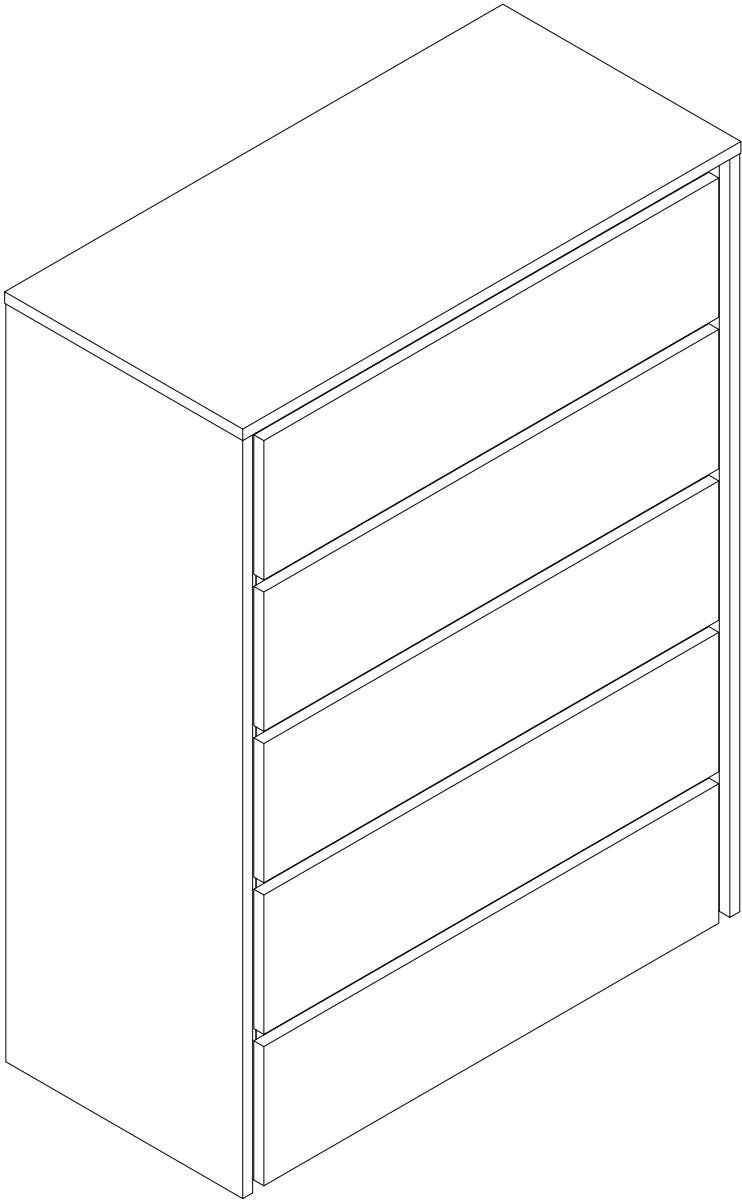
Step 11: Use a Phillips Head Screw to attach Runner(H2) to the the Drawer Left Side Panel(C13) and Drawer Right Side Panel(C14) with Screw(C).



Step 12: Insert the Drawer to the body.

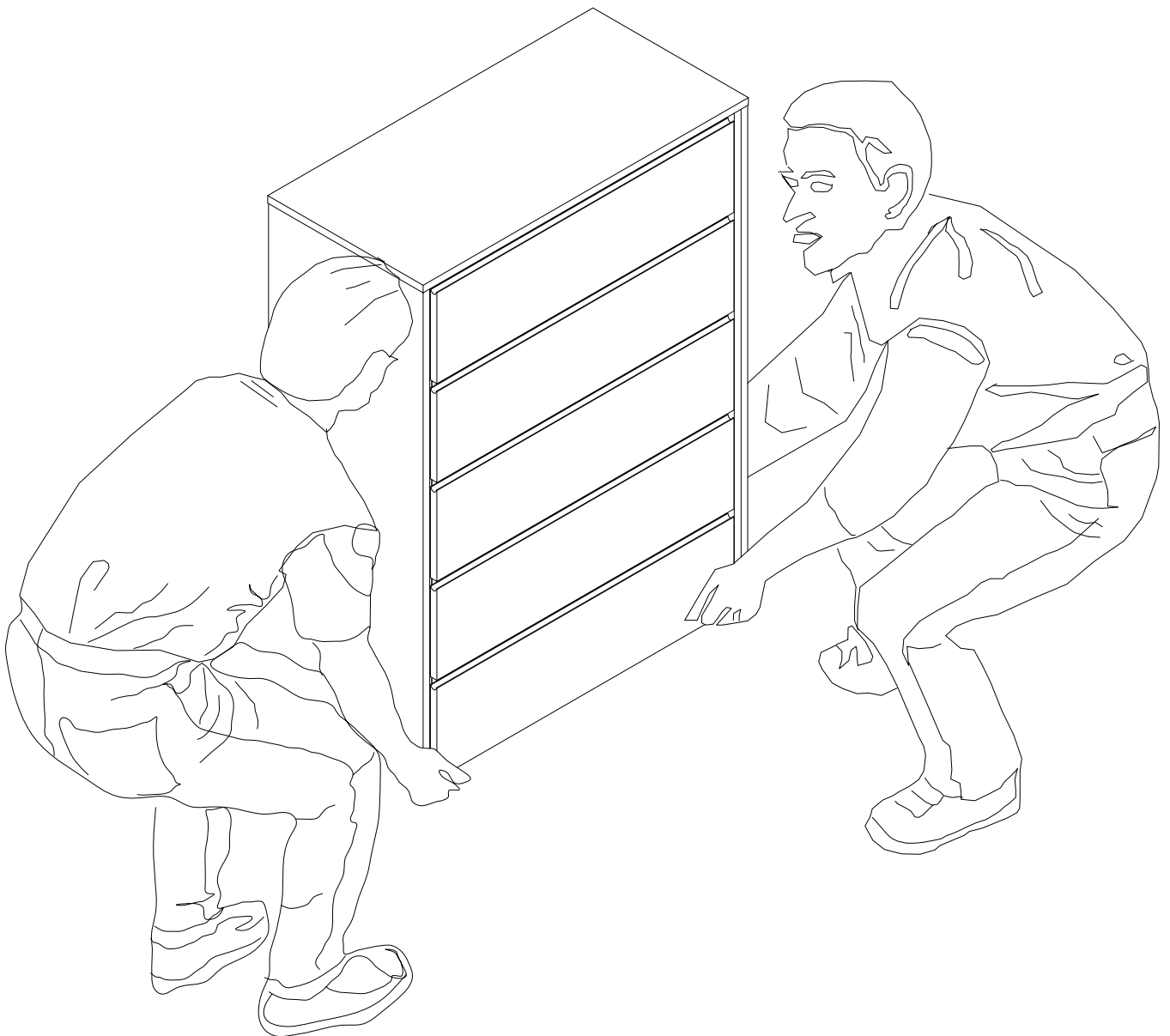


Assembly is complete



Note -

Do not drag the furniture as this may cause damage to the legs. Instead, use 2 persons to lift carefully from either end.



SAFETY BRACKETS INSTRUCTIONS

This furniture poses a tipping risk and as such must be secured to a wall using the provided tipping kit.

1. Attach one Mounting Plate to the wall with the Large Screws. Make sure to attach the Mounting Plate into a stud. If mounting into brick or masonry you will need to acquire wall anchors. Please enquire with your local hardware supplier for appropriate fixings.
2. Attach the second Mounting Plate to the furniture frame with the Short Screws.
3. Move the furniture to its final position. Thread a Wall Strap through the both Mounting Plates and tighten until snug. Do not over tighten.
4. Make sure that the Mounting Plates are firmly attached to the wall and furniture and that the Wall Strap is snug.

HARDWARE



Mounting Plate x 2



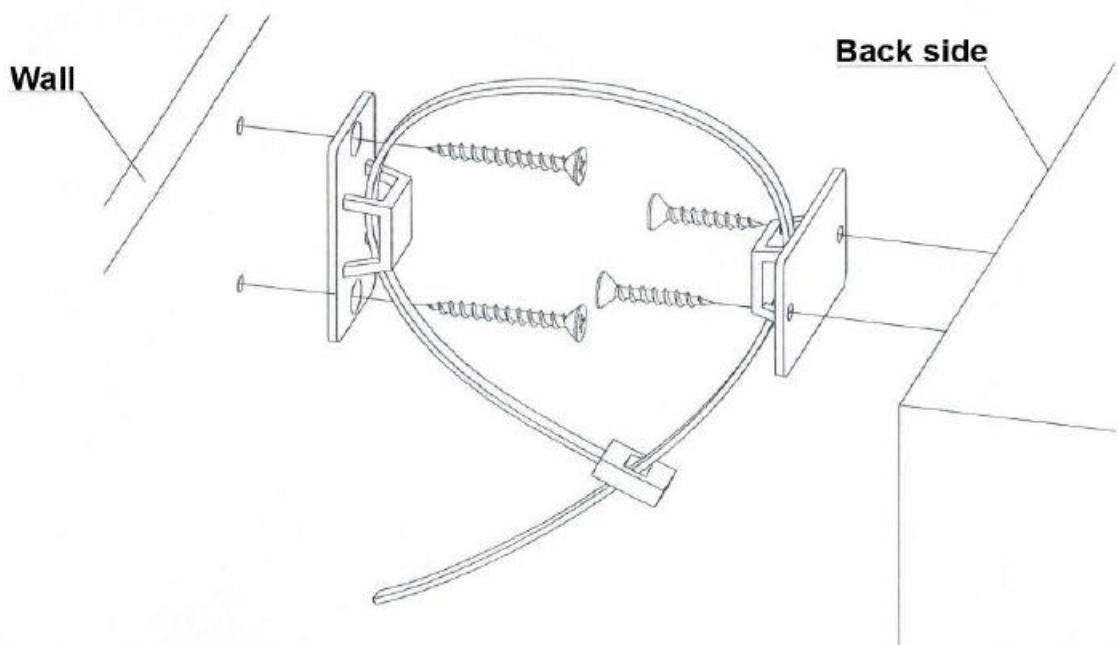
Wall Strap x 1



Large Screw x2



Small Screw x2



IMPORTANT: CARE GUIDE FOR YOUR HI-GLOSS FURNITURE

Congratulations! You have just purchased a quality product from Amart Furniture, Australia's largest discount furniture retail store. Please read on for important information regarding your purchase...

Hi-gloss lacquered furniture is more sensitive to marks and scratching than some other furniture products. It is important to exercise caution and care to maximise the life and beauty of this product.

Following the below simple guidelines when using your hi-gloss product will protect your investment for years to come:

- Dust frequently with a clean damp, lint-free cloth. This will help remove abrasive build up which can damage a finish over time.
- Avoid using chemicals or solvents when cleaning the product.
- Do not place hot objects on any furniture surface. Always use a hot plate or placemat. Lacquer finishes provide added scratch and heat resistance to our furniture, but they can still be damaged without proper care.
- Avoid exposing your furniture to strong sunlight. Prolonged exposure to direct sunlight can fade the finish of your furniture.
- Do not expose your furniture to any liquids. Avoid allowing water to sit on your furniture. Alcohol, nail polish and perfume are particularly harmful as they will dissolve the lacquer finish on contact.
- Do not allow plastic to come in direct contact with your furniture. Chemicals in the plastic of some placemats etc may soften and mark the finish if left in contact with the furniture for a period of time.
- Avoid placing sharp or rough objects on the surface of your furniture. These may scratch the surface of the product.
- When moving your furniture, do not drag it across the floor. This may damage the product. Instead use two people to lift carefully with caution from either end.